

primus®

GET AHEAD IN LAUNDRY+



SPC10 | SDC10

PROFESSIONAL WASHER AND DRYER



COMPACT DESIGN
Saving the footprint



USER-FRIENDLY
Very simple and intuitive interface



COIN MACHINE
For your self-service applications

FEATURES & BENEFITS

Features washer

- Stainless steel outer and inner drum
- Industry-leading 440 G-Force extraction removes more moisture, minimizing drying times and utility costs
- Totally freestanding: can be installed on any floor and any level
- Suspension with new out-of-balance logic
- Soap box with four compartments
- Door opens 180° for easy loading and unloading
- Standard with drain pump
- Top, front and side panels standard available in anthracite grey
- Electrical heating or boiler-fed
- 6 wash programs
- Possibility of programming cycle modifier (added prewash, extrawash time, extra rinse)
- LED indication of the status of the program
- Time remaining countdown
- Coin boxes and coin mechanism available as an option

Features dryer

- Galvanized steel cylinder
- Oversized lint filter located in front for easy cleaning
- Powerful exhaust blower assures short drying times and low operating costs
- Wide door opening of 180° for easy loading and unloading
- Top, front and side panels standard available in anthracite grey
- Electrical or gas heating
- 4 drying programs
- Led indication of the status of the program
- Time remaining countdown
- Coin boxes and coin mechanism available as an option

SPECIFICATIONS

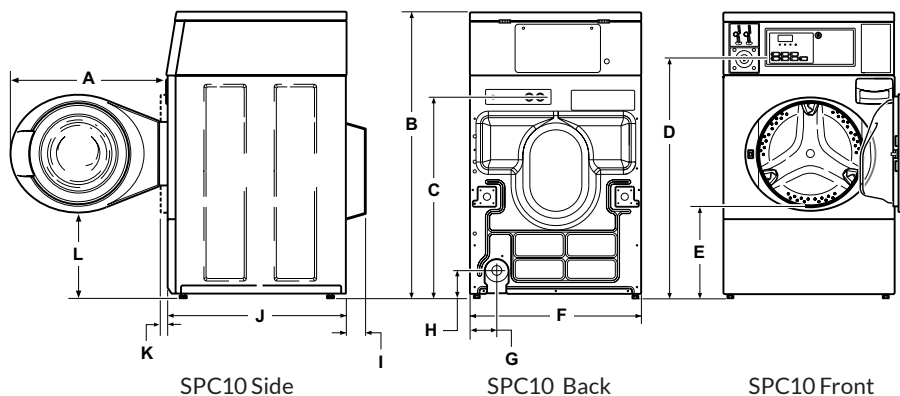
SPC10	NF3JXASP403UN01	NF3JXASP403UG01	NF3JXASP403UG43	NF3JXASG403UG01	NF3JXASG403UG43
Cabinet	Stainless	Grey	Grey	Grey	Grey
Market	Europe/CE	Europe/CE	Europe/CE	Europe/CE	Europe/CE
Actuation	Prep for coin	Prep for coin	Prep for coin	Prep for coin	Prep for coin
Basket	Stainless	Stainless	Grey boot	Stainless	Grey boot
Drain	Pump	Pump	Pump	Gravity drain	Gravity drain ¹
Capacity	10.5 kg	10.5 kg	10.5 kg	10.5 kg	10.5 kg

¹Available in Q4/2024

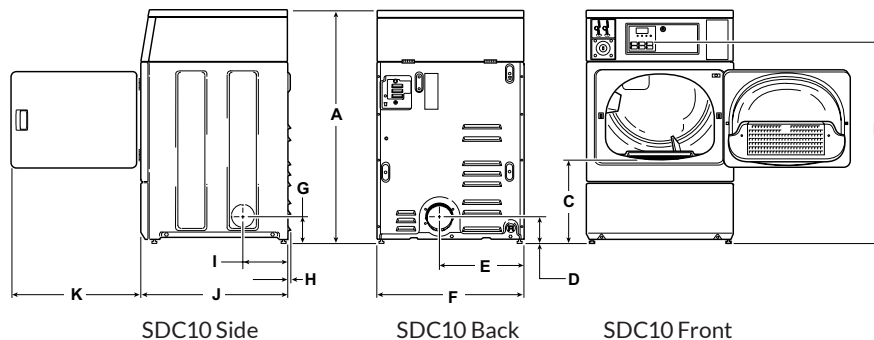
SDC10	ND3NXAGS403UN01	NDENXAGS303UG01	NDGNXAGS303UG01	ND3NXAGS403UG01
Cabinet	Stainless	Grey	Grey	Grey
Market	Europe/CE	Europe/CE	Europe/CE	Europe/CE
Actuation	Prep for coin	Prep for coin	Prep for coin	Prep for coin
Heating	Electric*	Electric*	Gas	Electric
El. connection	400V/50Hz/3N	230V/50Hz/1N	230V/50Hz/1N	400V/50Hz/3N

Front load washer		SPC10
Drum volume	l	96,8
Motor		
Frequency controlled	kW	0,67
Extraction speed	rpm	1200
G-factor		440
Electrical connection		230v/50Hz/1 400v/50Hz/3N*
Electrical heating	kW	4,8
Dimensions H×W×D	mm	1126×683×704
Net weight	kg	119
Volume (packed)	m ³	0,77
Packed H×W×D	mm	1150x760x860
Gross weight	kg	128

Dryer		SDC10
Capacity	kg	10.5
Drum volume	l	198
Electrical heating		5,2 (230V) 5,3 (400V)*
Gas heating	kW	7,3
Motor power	rpm	0,25
Exhaust	mm	102
Dimensions H×W×D	mm	1126×683×711
Net weight	kg	74
Volume (packed)	m ³	0,71
Packed H×W×D	mm	1150x760x860
Gross weight	kg	79



	A	B	C	D	E	F	G	H	I	J	K	L
SPC10	611	1126	813	938	371	683	107	104	52	704	40	333
	height			width				depth				



	A	B	C	D	E	F	G	H	I	J	K	
SDC10	1126	938	392	102	391	683	114	10	203	711	597	
	height			width				depth				